

**CAD FILES**

This package regroups all the CAD files for the clipNslide™ product in DXF format. The CAD files must be used in conjunction with this document, which gives all the reference dimensions. The drawings in this document are not necessarily to scale, refer to the CAD files for proper scale.

Table 1: File Reference Chart

Product	Figure	File
clipNslide	1	clipNslide.dxf
clipNslide core	2	clipNslide core.dxf

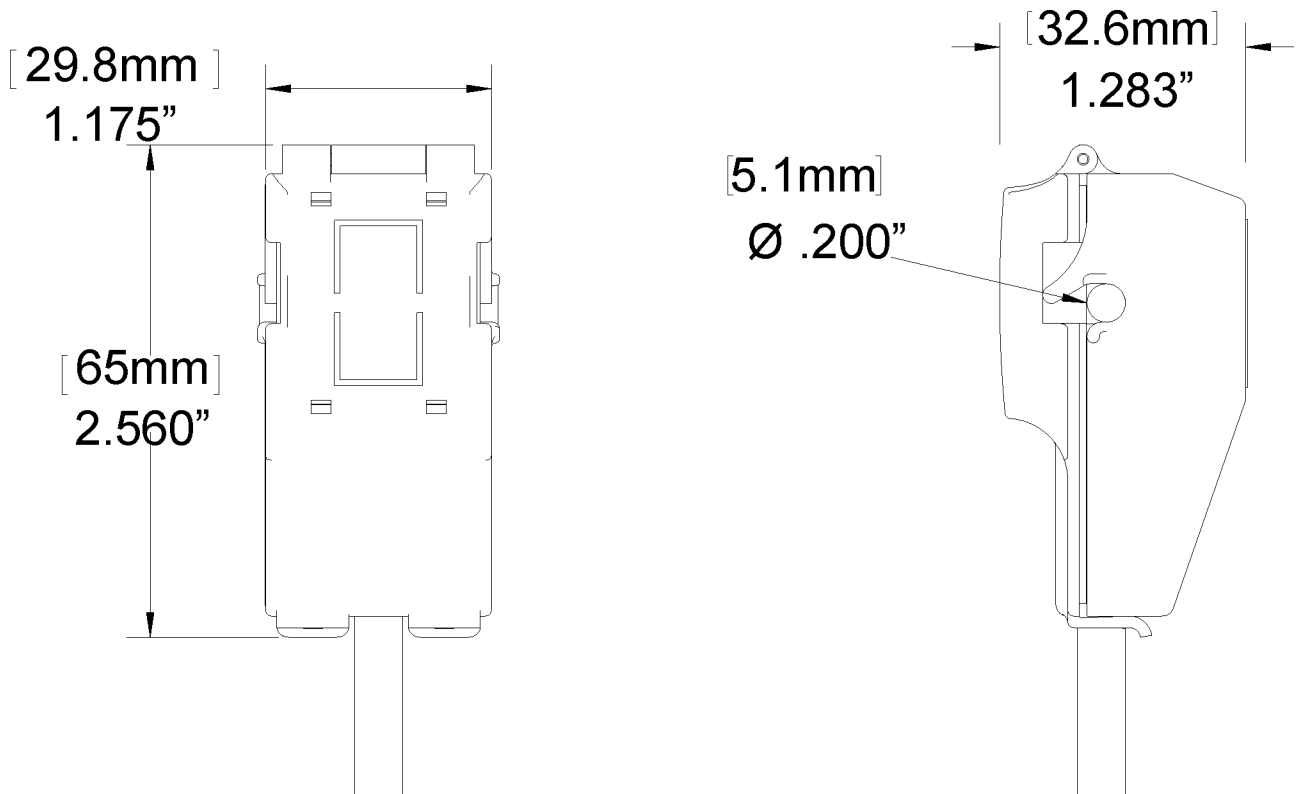


Figure 1: clipNslide™

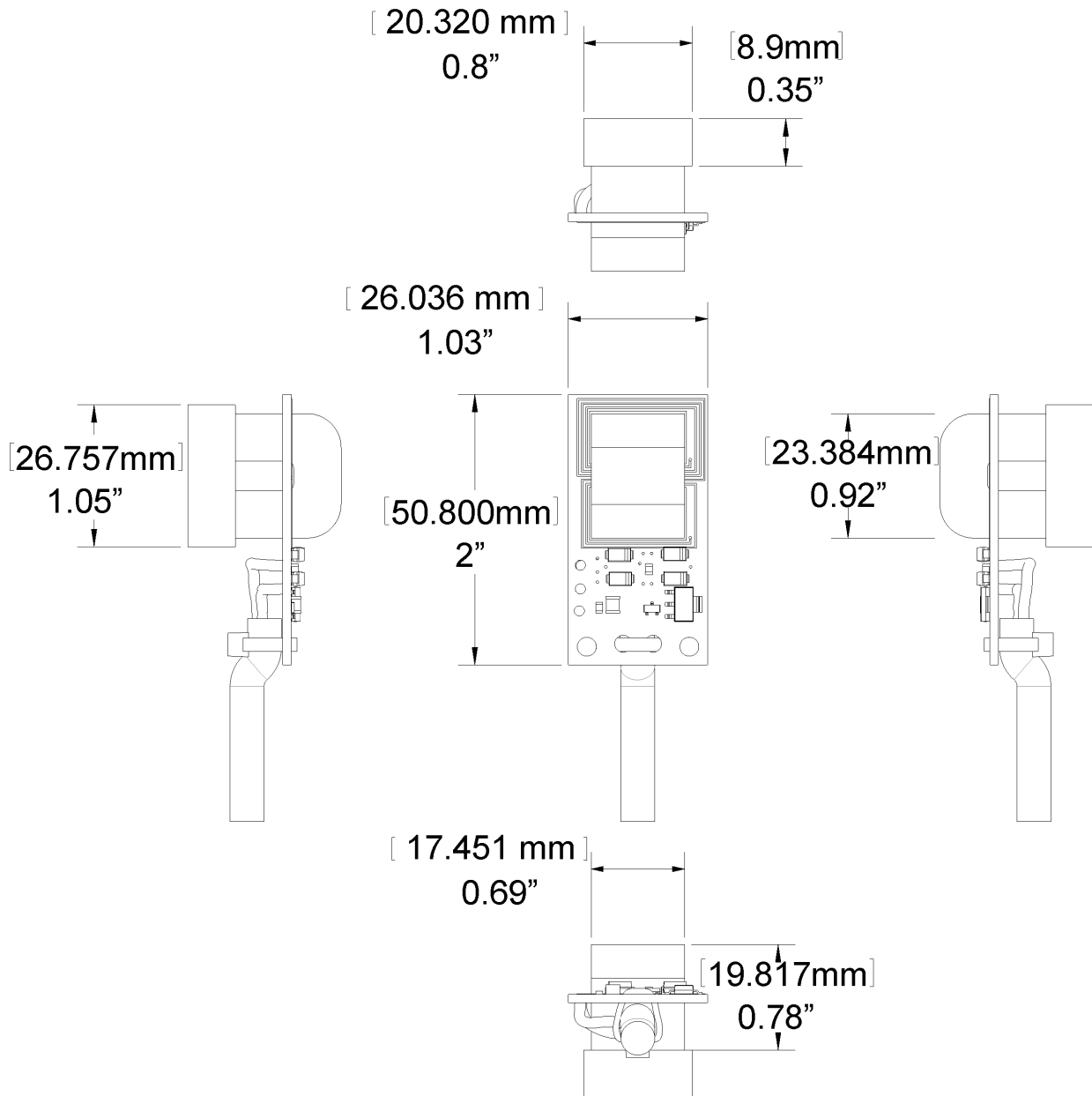


Figure 2: clipNslide™ core and PCB

This technical bulletin is confidential and released only for design and engineering use.

**DO NOT DISTRIBUTE.**



- All technical data in this bulletin is believed to be correct. However since the end user engineering process and tools are beyond our control, HEICO lighting™ makes no warranty expressed or implied as to the accuracy of the CAD drawings described in this document. The use of these CAD drawings shall be solely by the judgment and at the risk of the user notwithstanding any statement in this technical bulletin.
- The drawings in this document are not necessarily to scale, refer to the CAD file for proper scale.