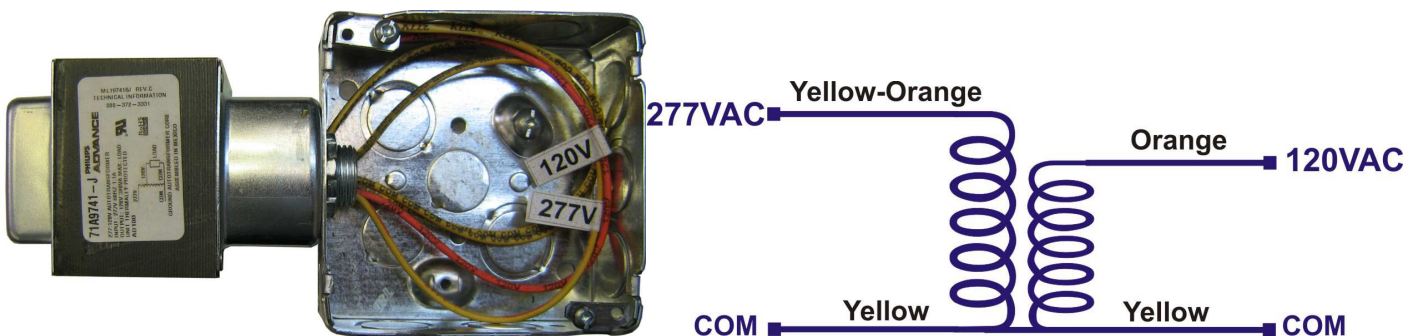


STEP DOWN TRANSFORMER FOR LMPS-750 POWER SUPPLY APPLICATIONS

1. The Step Down Transformer will step 277 volts line voltage down to 120 volts. It must be installed with an approved electrical junction box.
2. The Step Down Transformer is rated for 300VA load and is thermally protected.
3. A maximum of two LMPS-750 can be connected on the secondary side (120 volts) of the Step Down Transformer.
4. For the installation make sure there is a minimum clearance of 3 inches from thermal insulation and of 1 inch from adjacent building components.

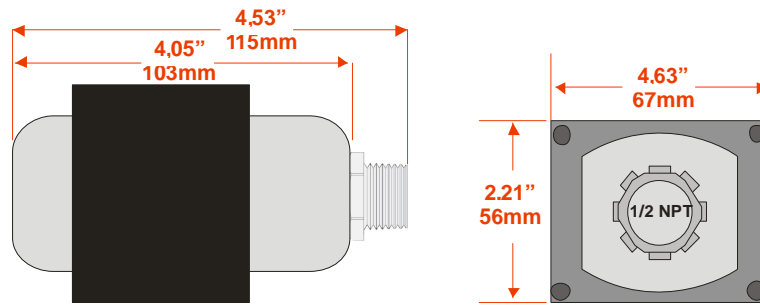
Listing: UL Recognized component.



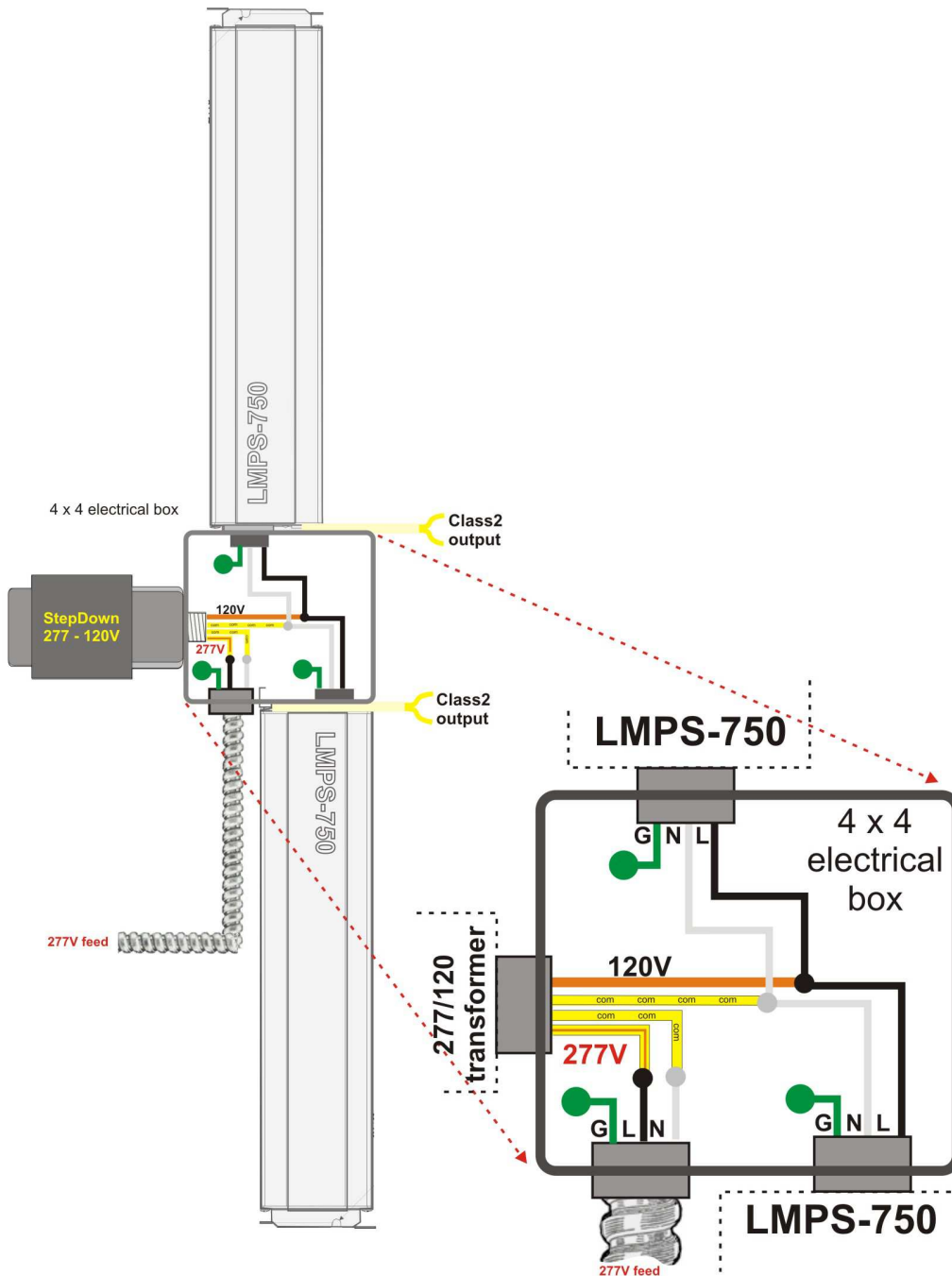
Characteristics

Input Voltage	277V 60Hz
Maximum Input Current	1.1A
Output Voltage	120V 60Hz
Maximum Load	300VA
Protection	Thermally Protected

Dimensions

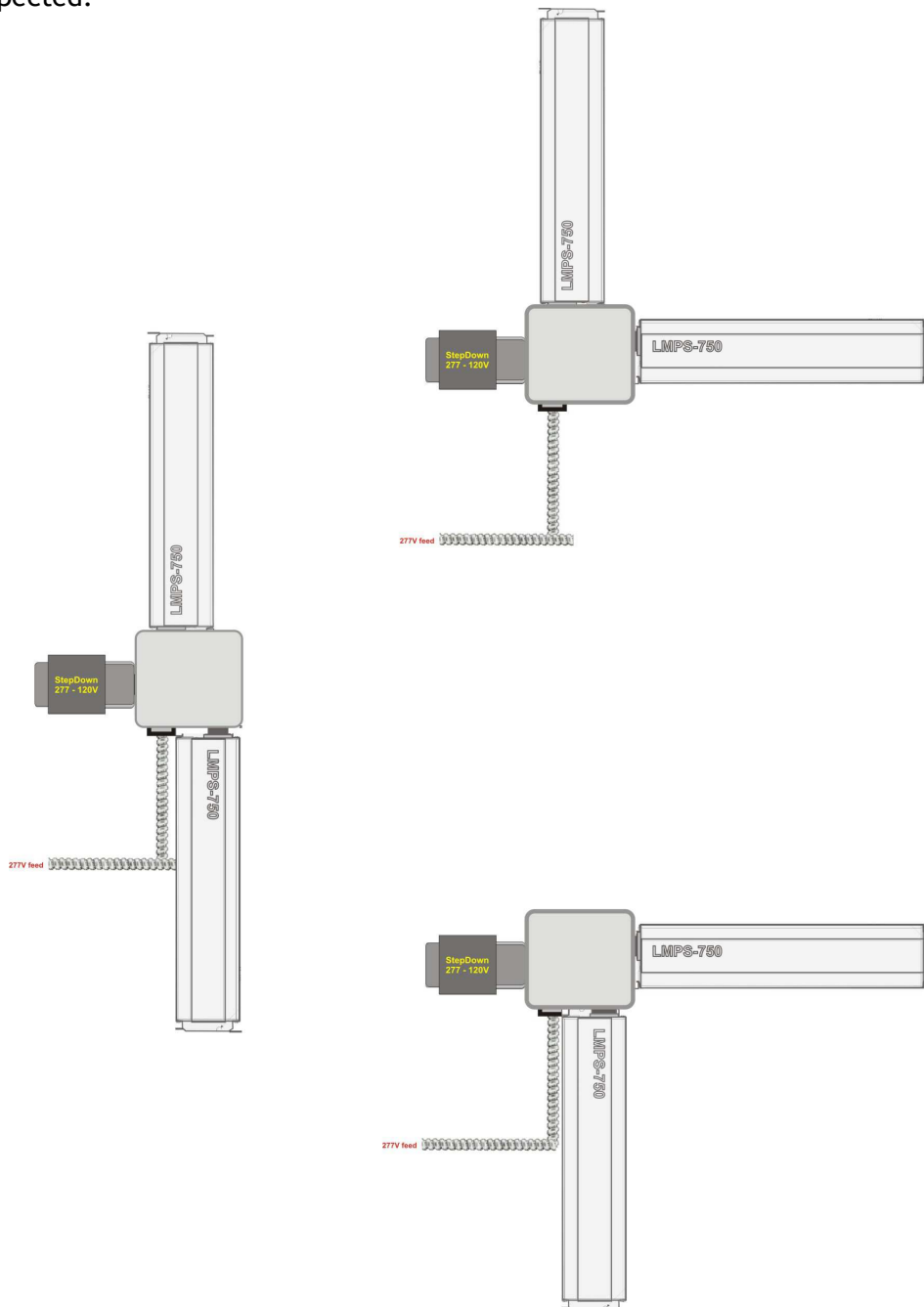


Connections



Typology

The LMPS-750 power supply can be installed anywhere on the junction box, as long as the minimum clearance is respected.



- **IMPORTANT:** The user is responsible for the safe electrical and mechanical installation of the 277V Step Down transformer and suitability of the wiring system, mounting surfaces and any mounting hardware used. Failure to do so can lead to electrical and mechanical failure of the system and serious personal injury.
- The user is responsible for proper selection of the electrical conductor type that will be used for the specific application.

Ordering Procedure

**Please contact the agent of your area to order this product on special order.*