

Specification Sheet - LMPS-350

A power supply designed for the architectural lighting industry

Date : _____
 Client : _____
 Project : _____
 Type : _____
 Purchase order number : _____
 Quantity : _____




Designed for the architectural lighting industry, the **LMPS-350** power supply is part of the **HEICO lighting™ Contactless LED System**. The power supply is fully potted and suitable for use in dry and damp locations. The AC power of the LMPS is fed by electromagnetic induction to the LED array, which eliminates electrical contacts and risks of corrosion. The LMPS-350 is UL 1310 and its output is compliant to Class 2 security extra low voltage (SELV).

Benefits

- More than 90% efficiency
- Patented induction power technology
- Protected against overloads
- Constant current source, no voltage drop over long distances
- Rugged design, power supply is entirely encapsulated
- No polarity output
- 5-year warranty
- Designed and manufactured in North America

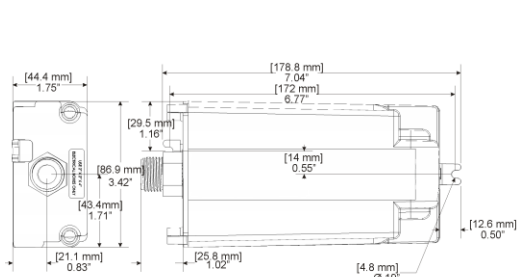
Characteristics

	LMPS-350	LMPS-350/LINECORD
Input Voltage	120 VAC ± 10 %, 60 Hz	
Maximum Input Current	0.45 A	
Output Voltage	10 VAC, 20 kHz (Class 2 compliant)	
Output Power	35 Watts	
Power Factor	> 90%	
Dimming Option	Only with: LMPS-Dimmer Controller and LMPS-Dimmer Extender	
Ambient Operating Temperature	-40 °F to 122 °F (-40 °C to 50 °C)	
Operating Environment	Dry and damp locations	
Ingress Protection Rating	IP67	
Warranty	5 years	
Weight	1.68 lbs (760g)	1.90 lbs (858g)
Housing	White ABS plastic	
Line Cord	N/A	6 feet (1.83 meters)
Listings	 UL 1310	Class 2 power units (SELV)

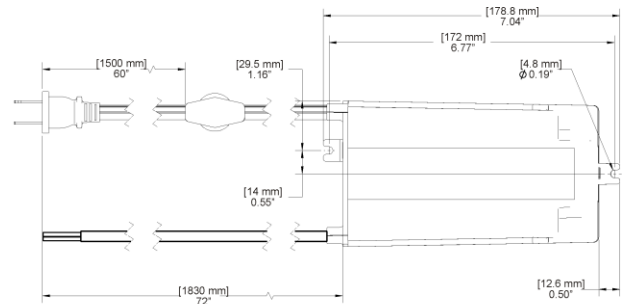
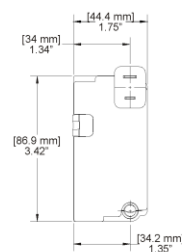


The LMPS-350 shall only be used with HEICO lighting™ compatible products. Failure to comply will void all warranties and UL/ETL listing.

Dimensions

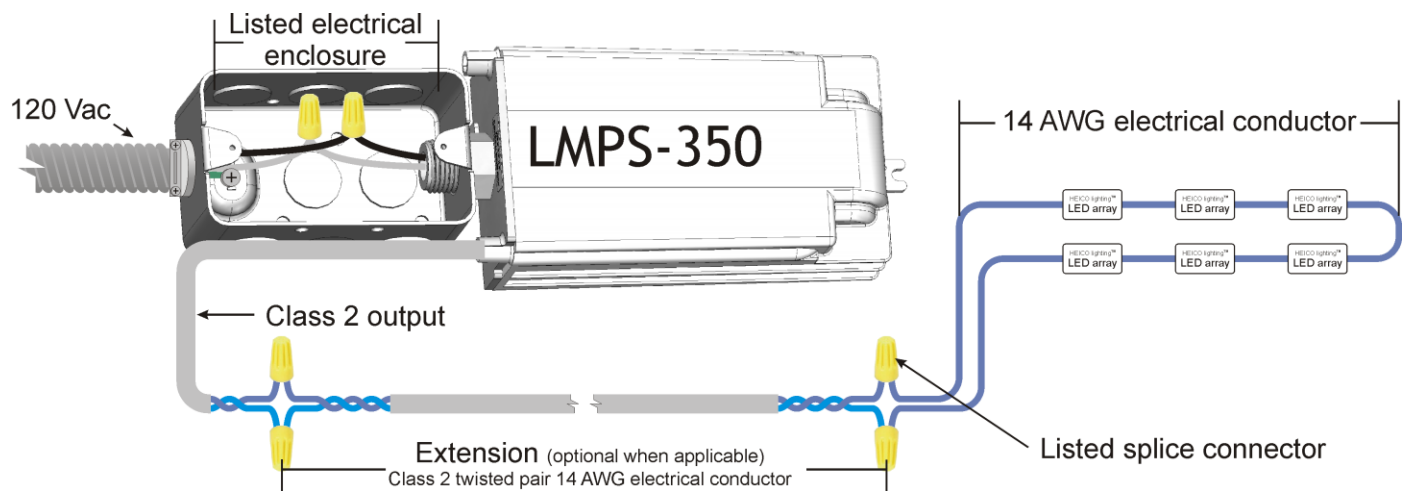


LMPS-350



LMPS-350/LINE CORD

Typical System Diagram



Electrical Requirements

- The LMPS-350 is to be powered by 120 VAC 60Hz electrical circuits.
- The output is designed to power compatible HEICO lighting™ LED arrays and is compliant to Class 2 security extra low voltage (SELV).
- To connect the LED arrays to the LMPS, use a 14 AWG UL or CSA listed electrical conductor approved for the purpose.
- Every LED array must be wired in series.

Additional References

- For complete technical drawings, see technical bulletin #24 “Architectural CAD file package”.
- For mandatory installation requirements, refer to the installation instructions of the LED product used.
- For proper wire selection and usage, refer to the “Wiring Selection Guide For Architectural Applications” (technical bulletin #27).

Ordering Procedure

Select your options

Description	1 - Family	2 - Input Voltage	3 - Output Power	4 - Line Cord
Ordering code	<u>LMPS</u>	<u>120</u>	<u>35</u>	_____

Example: LMPS-120-35-0


Options

4 - Line Cord

- 0 - Without line cord
- 1 - With line cord

The LMPS-350 can be used with all HEICO lighting™ LED modules.

For more information on our Virgolite™, D-LEDbar™ and clipNslide™ products, visit www.heicolighting.com



400 du Parc, Saint-Eustache
 Québec, Canada, J7R 0A1
 + 1.450.491.5671
 + 1.800.665.1166