

# Specification Sheet - D-LEDbar™

*Uniform light and incomparable energy efficiency*

Date : \_\_\_\_\_  
 Client : \_\_\_\_\_  
 Project : \_\_\_\_\_  
 Type : \_\_\_\_\_  
 Purchase order number : \_\_\_\_\_  
 Quantity : \_\_\_\_\_




Designed for the architectural lighting industry, the D-LEDbar™ is part of HEICO lighting™ Contactless LED System. The D-LEDbar™ is available in white (3000K, 3500K, 6500K). Its components are fully potted and suitable for use in dry, damp and wet locations (suitable for wet locations when used with power supply model LMPS-350). Its modular design allows for fast and easy installation. The AC power of the LMPS is fed by electromagnetic induction to the D-LEDbar™, which eliminates electrical contacts and risks of corrosion.

## Benefits

- More than 90% efficiency
- Patented induction power technology
- Rugged design, luminaire is entirely encapsulated
- Modular design for a perfect fit to all your projects
- No polarity
- 5-year warranty
- Designed and manufactured in North America

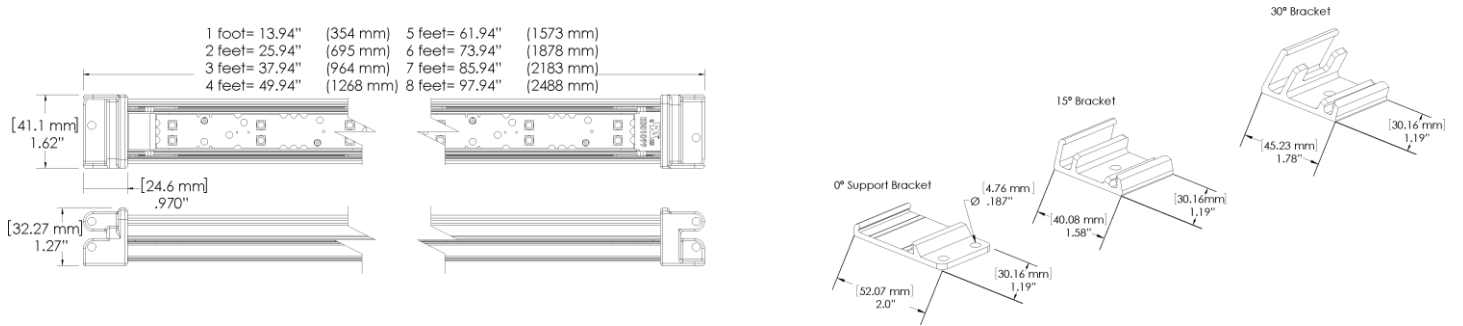
## Characteristics

Input Power	Only from the following Class 2 power supplies: LMPS-350, LMPS-DC350 or LMPS-750			
Dimming Option	Only with : LMPS-Dimmer Controller and LMPS-Dimmer Extender			
Beam angle	120°			
LED Color Spectrum	White (3000K, 3500K, 6500K)			
Chromaticity Tolerance	3-Step MacAdam ellipse			
Bracket angles	0°	15°	30°	
Ambient Operating Temperature	-40°F to 122°F (-40°C to 50°C)			
Operating Environment	Dry, damp and wet locations			
Ingress Protection Rating	IP67			
Warranty	5 years			
Overall length (±.125 (3.175mm))	1 foot: 13.94" (354 mm)	2 feet: 25.94" (659 mm)	3 feet: 37.94" (964 mm)	4 feet: 49.94" (1268mm)
	5 feet: 61.94" (1573 mm)	6 feet: 73.94" (1878 mm)	7 feet: 85.94" (2183 mm)	8 feet: 97.94" (2488 mm)
Weight	1 foot: 0.620 lbs (281 g)	2 feet: 1.129 lbs (512 g)	3 feet: 1.638 lbs (743 g)	4 feet: 2.147 lbs (974 g)
	5 feet: 2.657 lbs (1205 g)	6 feet: 3.166 lbs (1436 g)	7 feet: 3.675 lbs (1667 g)	8 feet: 4.184 lbs (1898 g)
Housing	Aluminum body and plastic mounting clips			
Listings	 Luminaires			

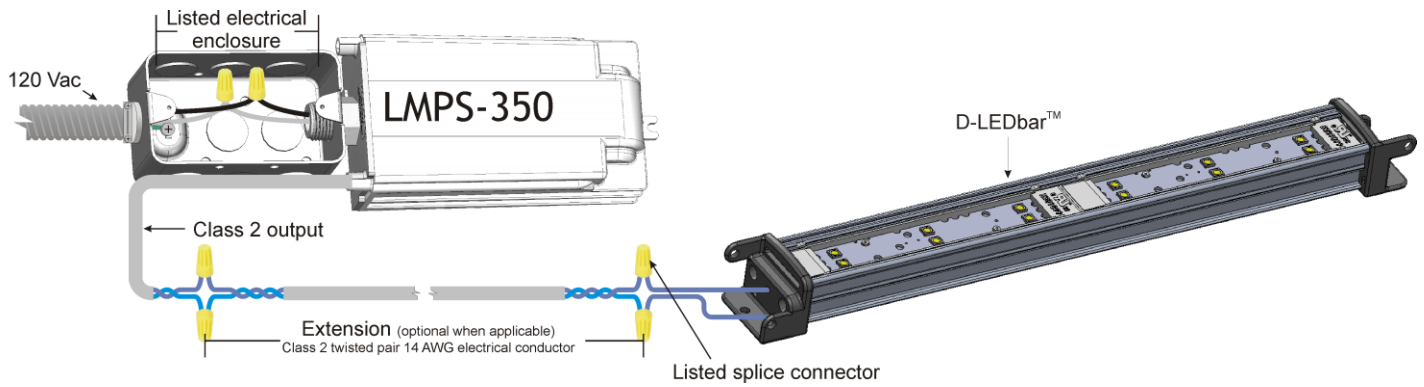


The D-LEDbar™ shall only be used with the following Class 2 power supplies:  
 LMPS-350, LMPS-DC350 or LMPS-750.  
 Failure to comply will void all warranties and UL/ETL listings.

## Dimensions



## Typical System Diagram



**D-LEDbar™ System Loading and Photometric Information \*\***

Length	Model	Watts per D-LEDbar™	Maximum number of D-LEDbar™		Lumens			CRI		
			LMP5-350	LMP5-750	3000K	3500K	6500K	3000K	3500K	6500K
1 foot	Virgo+™ LS3	2.30	15	32	220	232	244	85	86	84
	Virgo+™ LS6	4.28	8	17	430	450	474	85	85	84
2 feet	Virgo+™ LS3	4.60	7	16	440	464	488	85	86	84
	Virgo+™ LS4	10.36	3	7	994	1043	1092	85	85	84
	Virgo+™ LS6	8.56	4	8	860	900	948	85	85	84
3 feet	Virgo+™ LS3	6.90	5	10	660	696	732	85	86	84
	Virgo+™ LS4	16.28	2	4	1562	1639	1716	85	85	84
	Virgo+™ LS6	12.84	2	5	1290	1350	1422	85	85	84
4 feet	Virgo+™ LS3	9.20	3	8	880	928	976	85	86	84
	Virgo+™ LS4	22.20	1	3	2130	2235	2340	85	85	84
	Virgo+™ LS6	17.12	2	4	1720	1800	1896	85	85	84
5 feet	Virgo+™ LS3	11.50	3	6	1100	1160	1220	85	86	84
	Virgo+™ LS4	28.12	1	2	2698	2831	2964	85	85	84
	Virgo+™ LS6	21.40	1	3	2150	2250	2370	85	85	84
6 feet	Virgo+™ LS3	13.80	2	5	1320	1392	1464	85	86	84
	Virgo+™ LS4	32.56	1	2	3124	3278	3432	85	85	84
	Virgo+™ LS6	25.68	1	2	2580	2700	2844	85	85	84
7 feet	Virgo+™ LS3	16.10	2	4	1540	1624	1708	85	86	84
	Virgo+™ LS4	38.48	N/A	1	3692	3874	4056	85	85	84
	Virgo+™ LS6	29.96	1	2	3010	3150	3318	85	85	84
8 feet	Virgo+™ LS3	18.40	2	4	1760	1856	1952	85	86	84
	Virgo+™ LS4	44.40	N/A	1	4260	4470	4680	85	85	84
	Virgo+™ LS6	34.24	1	2	3440	3600	3792	85	85	84

\*\* Photometric data is subject to change.

**Electrical Requirements**

- To connect the LED arrays to the LMP5, use a 14 AWG UL or CSA listed electrical conductor approved for the purpose.
- The maximum allowable outside diameter for the electrical conductor is .150" (3.94 mm) for the LS3, LS4, LS6 short and long.
- Every LED array must be wired in series.

**Additional References**

- For complete technical drawings, see technical bulletin #24 "Architectural CAD file package"
- For the specifications of the power supplies, refer to the LMP5-350, LMP5-350/LINECORD, LMP5-DC350 and LMP5-750 specifications sheets (Documents 11126.007, 11978.002 and 11126.003).
- For mandatory installation requirements refer to the "D-LEDbar™ Architectural Lighting Installation Guide" (technical bulletin #15) and the "LMP5-DIMMER Architectural Lighting Installation Guide" (technical bulletin #11).

## Ordering Procedure

### Select your options

Description	1 - Family	2 - LED Module	3 - LED Color Spectrum	4 - Overall Length	5 - Finish	6 - Mounting Option
Ordering code	<u>DL</u>	_____	_____	_____	<u>AL</u>	_____

Example : DL-V3-3-30-1-AL-ECA

### Options

2 - LED Module	Number of LEDs per module
V3-3 - Virgo+™ LS3	3
V4-4 - Virgo+™ LS4	4
V6-6 - Virgo+™ LS6	6

3 - LED Color Spectrum
30K - White 3000K
35K - White 3500K
65K - White 6500K

4 - Overall Length																				
<table border="0"> <tr> <td><b>With end-cap</b></td> <td><b>End-to-end configuration</b></td> </tr> <tr> <td>1 - 13.94" (354 mm)*</td> <td>1 - 12.00" (305 mm)*</td> </tr> <tr> <td>2 - 25.94" (659 mm)</td> <td>2 - 23.87" (606 mm)</td> </tr> <tr> <td>3 - 37.94" (964 mm)</td> <td>3 - 35.74" (908 mm)</td> </tr> <tr> <td>4 - 49.94" (1268 mm)</td> <td>4 - 47.60" (1209 mm)</td> </tr> <tr> <td>5 - 61.94" (1573 mm)</td> <td>5 - 59.48" (1511 mm)</td> </tr> <tr> <td>6 - 73.94" (1878 mm)</td> <td>6 - 71.34" (1812 mm)</td> </tr> <tr> <td>7 - 85.94" (2183 mm)</td> <td>7 - 83.2" (2113 mm)</td> </tr> <tr> <td>8 - 97.94" (2488 mm)</td> <td>8 - 95.09" (2415 mm)</td> </tr> <tr> <td>9- XX : _____</td> <td>9- XX : _____</td> </tr> </table>	<b>With end-cap</b>	<b>End-to-end configuration</b>	1 - 13.94" (354 mm)*	1 - 12.00" (305 mm)*	2 - 25.94" (659 mm)	2 - 23.87" (606 mm)	3 - 37.94" (964 mm)	3 - 35.74" (908 mm)	4 - 49.94" (1268 mm)	4 - 47.60" (1209 mm)	5 - 61.94" (1573 mm)	5 - 59.48" (1511 mm)	6 - 73.94" (1878 mm)	6 - 71.34" (1812 mm)	7 - 85.94" (2183 mm)	7 - 83.2" (2113 mm)	8 - 97.94" (2488 mm)	8 - 95.09" (2415 mm)	9- XX : _____	9- XX : _____
<b>With end-cap</b>	<b>End-to-end configuration</b>																			
1 - 13.94" (354 mm)*	1 - 12.00" (305 mm)*																			
2 - 25.94" (659 mm)	2 - 23.87" (606 mm)																			
3 - 37.94" (964 mm)	3 - 35.74" (908 mm)																			
4 - 49.94" (1268 mm)	4 - 47.60" (1209 mm)																			
5 - 61.94" (1573 mm)	5 - 59.48" (1511 mm)																			
6 - 73.94" (1878 mm)	6 - 71.34" (1812 mm)																			
7 - 85.94" (2183 mm)	7 - 83.2" (2113 mm)																			
8 - 97.94" (2488 mm)	8 - 95.09" (2415 mm)																			
9- XX : _____	9- XX : _____																			

6 - Mounting Option
ECA - With end-cap
ETE - End-to-end configuration

\*1 foot only available with the V3-3 and V6-6 LED modules

**D-LEDbar™ can be used with HEICO lighting™'s Contactless LED System LMPS power supplies.**

**For more information on our complete line of products, visit [www.heicolighting.com](http://www.heicolighting.com)**

400 du Parc, Saint-Eustache  
 Québec, Canada, J7R 0A1  
 + 1.450.491.5671  
 + 1.800.665.1166