

# Specification Sheet D-LEDbar™ Polyoptik™



Highlighting every detail uniformly

Date : \_\_\_\_\_  
 Client : \_\_\_\_\_  
 Project : \_\_\_\_\_  
 Type : \_\_\_\_\_  
 Purchase order number : \_\_\_\_\_  
 Quantity : \_\_\_\_\_




Designed for the architectural lighting industry, the D-LEDbar™ Polyoptik™ is part of HEICO lighting™ Contactless LED System. The D-LEDbar™ Polyoptik™ is available in white (3000K, 3500K) and in various lenses (20°x20°, 40°x40°, 20°x40°, 180°x180°). Its components are fully potted and suitable for use in dry, damp and wet locations (suitable for wet locations when used with power supply model LMPS-350). Its modular design allows for fast and easy installation. The AC power of the LMPS is fed by electromagnetic induction to the D-LEDbar™ Polyoptik™, which eliminates electrical contacts and risks of corrosion.

## Benefits

- More than 90% efficiency
- Patented induction power technology
- Rugged design, luminaire is entirely encapsulated
- Modular design for a perfect fit to all your projects
- Precise beam angle
- No polarity
- 5-year warranty
- Designed and manufactured in North America

## Characteristics

Input Power	Only from the following Class 2 power supplies: LMPS-350, LMPS-DC350 or LMPS-750			
Dimming Option	Only with : LMPS-Dimmer Controller and LMPS-Dimmer Extender			
Beam angle	20° x 20°	40° x 40°	20° x 40°	180° x 180°
LED Color Spectrum	White (3000K, 3500K)			
Chromaticity Tolerance	3-Step MacAdam ellipse			
Bracket angles	0°	15°	30°	
Ambient Operating Temperature	-40° F to 122° F (-40° C to 50° C)			
Operating Environment	Dry, damp and wet locations			
Ingress Protection Rating	IP67			
Warranty	5 years			
Overall length (±.125 (3.175mm))	2 feet: 25.94" (659 mm)	3 feet: 37.94" (964 mm)	4 feet: 49.94" (1268mm)	
	5 feet: 61.94" (1573 mm)	6 feet: 73.94" (1878 mm)	7 feet: 85.94" (2183 mm)	8 feet: 97.94" (2488 mm)
Weight	2 feet: 1.129 lbs (512 g)	3 feet: 1.638 lbs (743 g)	4 feet: 2.147 lbs (974 g)	
	5 feet: 2.657 lbs (1205 g)	6 feet: 3.166 lbs (1436 g)	7 feet: 3.675 lbs (1667 g)	8 feet: 4.184 lbs (1898 g)
Housing	Aluminum body and plastic mounting clips			
Listings	 Luminaires			

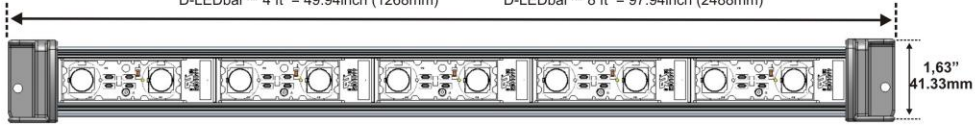


The D-LEDbar™ Polyoptik™ shall only be used with the following Class 2 power supplies:  
 LMPS-350, LMPS-DC350 or LMPS-750.  
 Failure to comply will void all warranties and UL/ETL listings.

**Dimensions**

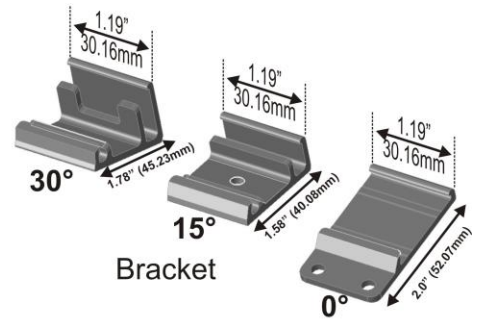
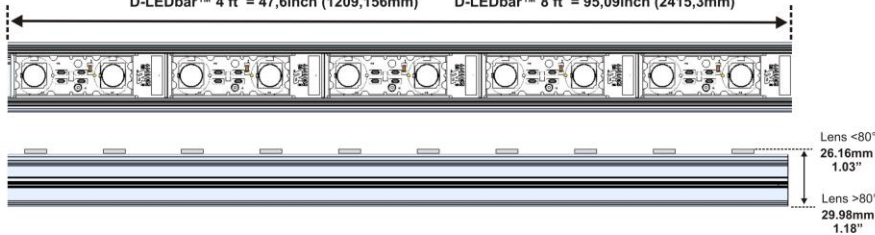
**D-LEDbar™ with end-cap**

D-LEDbar™ 1 ft = 14inch (355,6mm)	D-LEDbar™ 5 ft = 61.94inch (1573mm)
D-LEDbar™ 2 ft = 25.94inch (695mm)	D-LEDbar™ 6 ft = 73.94inch (1878mm)
D-LEDbar™ 3 ft = 37.94inch (964mm)	D-LEDbar™ 7 ft = 85.94inch (2183mm)
D-LEDbar™ 4 ft = 49.94inch (1268mm)	D-LEDbar™ 8 ft = 97.94inch (2488mm)



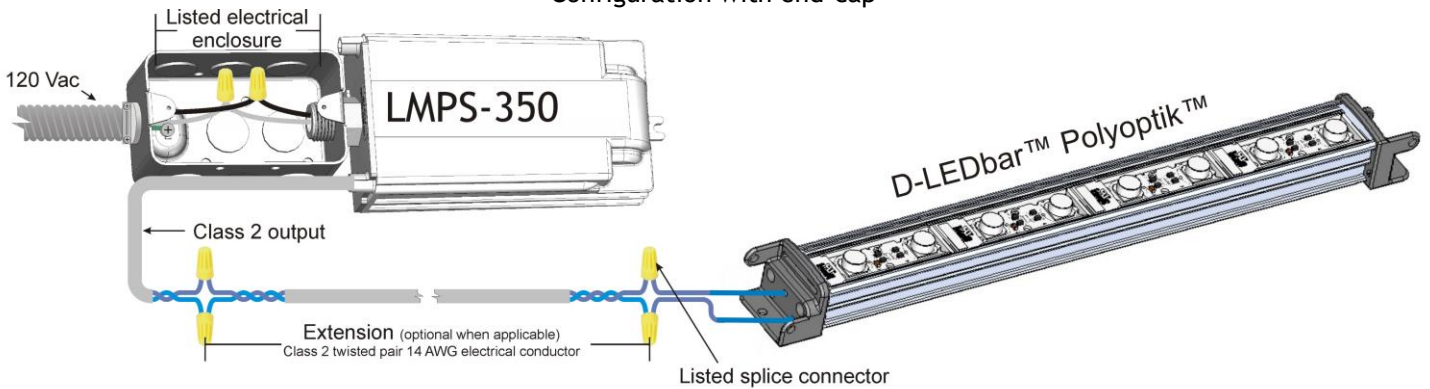
**D-LEDbar™ no end-cap**

D-LEDbar™ 1 ft = 12inch (304,8mm)	D-LEDbar™ 5 ft = 59.48inch (1510,8mm)
D-LEDbar™ 2 ft = 23.87inch (606,356mm)	D-LEDbar™ 6 ft = 71.34inch (1811,956mm)
D-LEDbar™ 3 ft = 35.74inch (907,8mm)	D-LEDbar™ 7 ft = 83.2inch (2113,356mm)
D-LEDbar™ 4 ft = 47.6inch (1209,156mm)	D-LEDbar™ 8 ft = 95.09inch (2415,3mm)

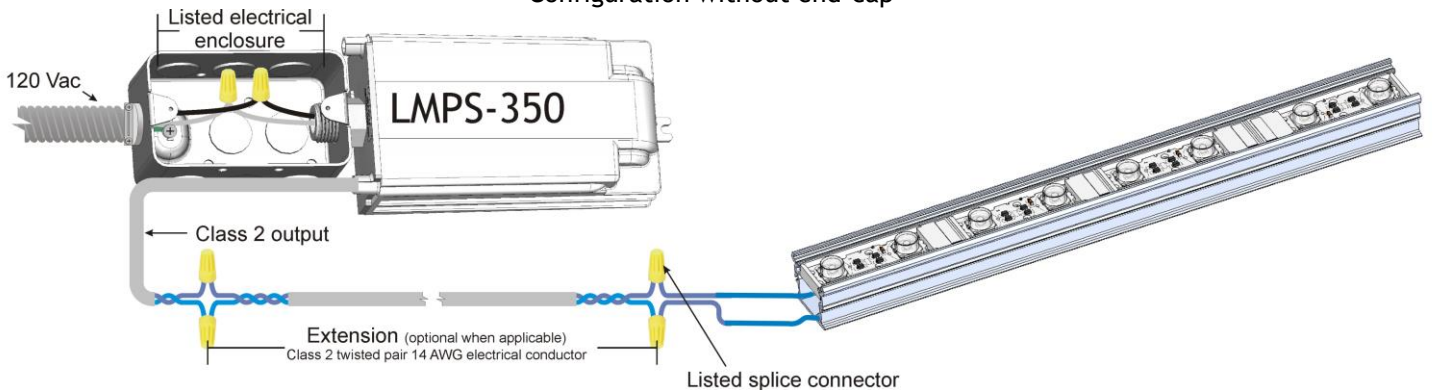


**Typical System Diagram**

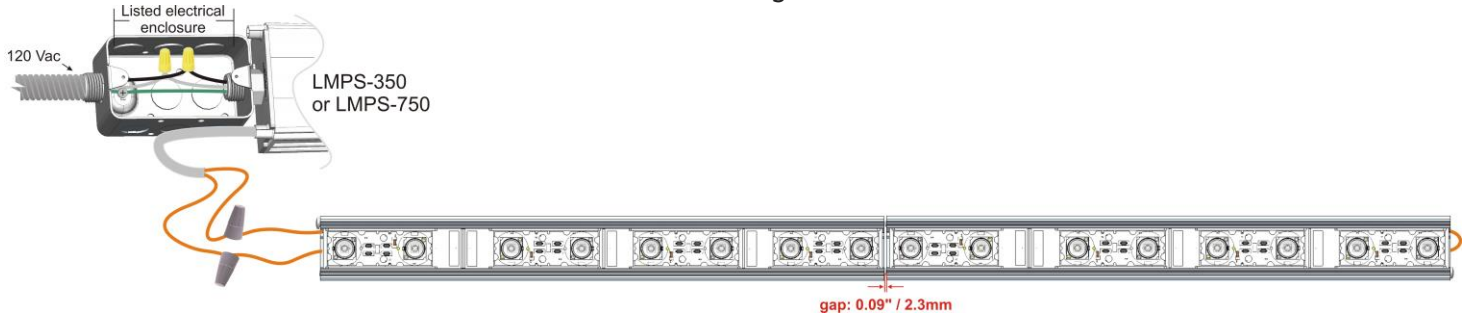
**Configuration with end-cap**



**Configuration without end-cap**



End-to-end configuration



**D-LEDbar™ Polyoptik™ System Loading and Photometric Information \*\***

Length	Model	Modules per D-LEDbar™ Polyoptik™	Watts per D-LEDbar™ Polyoptik™	Maximum number of D-LEDbar™ Polyoptik™		Lumens		CRI	
				LMPs-350	LMPs-750	3000K	3500K	3000K	3500K
2 feet	Polyoptik™ 20°	7	9.45	3	7	729	791	82	82
	Polyoptik™ 40°	7	9.45	3	7	684	742	82	82
	Polyoptik™ 20° x 40°	7	9.45	3	7	800	868	82	82
	Polyoptik™ 180°	7	9.45	3	7	684	742	82	82
3 feet	Polyoptik™ 20°	11	14.85	2	5	1146	1243	82	82
	Polyoptik™ 40°	11	14.85	2	5	1075	1166	82	82
	Polyoptik™ 20° x 40°	11	14.85	2	5	1258	1364	82	82
	Polyoptik™ 180°	11	14.85	2	5	1075	1166	82	82
4 feet	Polyoptik™ 20°	15	20.25	1	3	1563	1695	82	82
	Polyoptik™ 40°	15	20.25	1	3	1466	1590	82	82
	Polyoptik™ 20° x 40°	15	20.25	1	3	1715	1860	82	82
	Polyoptik™ 180°	15	20.25	1	3	1466	1590	82	82
5 feet	Polyoptik™ 20°	19	25.65	1	2	1980	2147	82	82
	Polyoptik™ 40°	19	25.65	1	2	1857	2014	82	82
	Polyoptik™ 20° x 40°	19	25.65	1	2	2173	2356	82	82
	Polyoptik™ 180°	19	25.65	1	2	1857	2014	82	82
6 feet	Polyoptik™ 20°	22	29.7	1	2	2293	2486	82	82
	Polyoptik™ 40°	22	29.7	1	2	2151	2332	82	82
	Polyoptik™ 20° x 40°	22	29.7	1	2	2516	2728	82	82
	Polyoptik™ 180°	22	29.7	1	2	2151	2332	82	82
7 feet	Polyoptik™ 20°	26	35.1	1	2	2709	2938	82	82
	Polyoptik™ 40°	26	35.1	1	2	2542	2756	82	82
	Polyoptik™ 20° x 40°	26	35.1	1	2	2973	3224	82	82
	Polyoptik™ 180°	26	35.1	1	2	2542	2756	82	82
8 feet	Polyoptik™ 20°	30	40.5	N/A	1	3126	3390	82	82
	Polyoptik™ 40°	30	40.5	N/A	1	2933	3180	82	82
	Polyoptik™ 20° x 40°	30	40.5	N/A	1	3431	3720	82	82
	Polyoptik™ 180°	30	40.5	N/A	1	2933	3180	82	82

\*\*Photometric data is subject to change

**Electrical Requirements**

- To connect the D-LEDbar™ Polyoptik™ to the LMPs, use a 14 AWG UL or CSA listed electrical conductor approved for the purpose.
- Every D-LEDbar™ Polyoptik™ must be wired in series.

**Additional References**

- For complete technical drawings, see technical bulletin #24 “Architectural CAD file package”.
- For the specifications of the power supplies, refer to the LMPs-350, LMPs-DC350 and LMPs-750 specifications sheets (Documents 11126.007, 11978.002 and 11126.003).
- For mandatory installation requirements refer to the “D-LEDbar™ Polyoptik™ Architectural Lighting Installation Guide” (technical bulletin #36) and the “LMPs-DIMMER Architectural Lighting Installation Guide” (technical bulletin #11).

## Ordering Procedure

### Select your options

Description	1 - Family	2 - LED Modules included in the bar	3 - LED Color Spectrum	4 - Lens	5 - Overall Length	6 - Finish	7 - Mounting Option
Ordering code	<u>DL</u>	<u>POL-2</u>	_____	_____	_____	<u>AL</u>	_____

Example : DL-POL-2-30K-20x20-2-AL-ECA

### Options

#### 3 - LED Color Spectrum

30K - White 3000K  
35K - White 3500K

#### 4 - Lens

20x20 - 20°x20°  
40x40 - 40°x40°  
20x40 - 20°x40°  
180x180 - 180°x180°

#### 5 - Overall Length

##### With end-cap

2 - 25.94" (659 mm)  
3 - 37.94" (964 mm)  
4 - 49.94" (1268 mm)  
5 - 61.94" (1573 mm)  
6 - 73.94" (1878 mm)  
7 - 85.94" (2183 mm)  
8 - 97.94" (2488 mm)  
9- XX : \_\_\_\_\_

##### End-to-end configuration

2 - 23.87" (606 mm)  
3 - 35.74" (908 mm)  
4 - 47.60" (1209 mm)  
5 - 59.48" (1511 mm)  
6 - 71.34" (1812 mm)  
7 - 83.2" (2113 mm)  
8 - 95.09" (2415 mm)  
9- XX : \_\_\_\_\_

#### 7 - Mounting Option

ECA - With end-cap  
ETE - End-to-end configuration

**D-LEDbar™ Polyoptik™ can be used with HEICO lighting™'s Contactless LED System LMPS power supplies.**

**For more information on our complete line of products, visit [www.heicolighting.com](http://www.heicolighting.com)**

400 du Parc, Saint-Eustache  
Québec, Canada, J7R 0A1  
+ 1.450.491.5671  
+ 1.800.665.1166